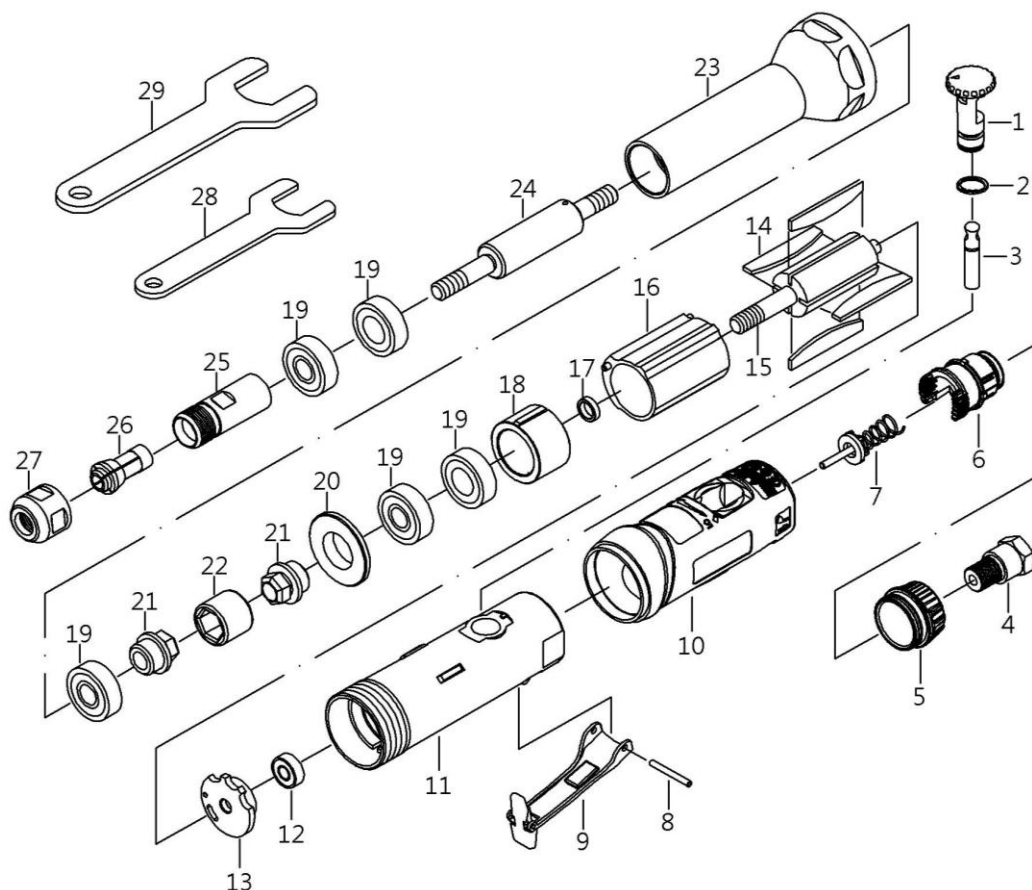


# 5" AIR EXTENSION DIE GRINDER



## PARTS LIST

| NO | PARTS NO    | DESCRIPTION        | Q'T<br>Y |
|----|-------------|--------------------|----------|
| 1  | ST200A37AS  | REGULATOR SET      | 1        |
| 2  | OB-30       | SNAP RING          | 1        |
| 3  | ST200A33AAS | VALVE STEM SET     | 1        |
| 4  | 70009       | AIR INLET          | 1        |
| 5  | ST20010BAS  | EXHAUST SLEEVE SET | 1        |
| 6  | ST20022B    | CONE MUFFLER       | 1        |
| 7  | ST200A44AS  | VALVE SET          | 1        |
| 8  | 12012.1     | SPRING PIN         | 1        |
| 9  | ST200A13    | LEVER              | 1        |
| 10 | ST-200A14BG | PROTECTING RUBBER  | 1        |
| 11 | ST200A15    | HOUSING            | 1        |
| 12 | 20312       | BEARING (696ZZ)    | 1        |
| 13 | ST70017     | REAR PLATE         | 1        |
| 14 | 20019       | ROTOR BLADE        | 4        |
| 15 | ST288321    | ROTOR              | 1        |

Consumable parts No. 7, 12, 14, 19, 22

| NO | PARTS NO   | DESCRIPTION         | Q'T<br>Y |
|----|------------|---------------------|----------|
| 16 | ST70021AS  | CYLINDER SET        | 1        |
| 17 | 20022      | BEARING SPACER      | 1        |
| 18 | ST21023    | FRONT PLATE         | 1        |
| 19 | 21024      | BEARING (608ZZ)     | 5        |
| 20 | 20025      | WASHER              | 1        |
| 21 | 200L26     | COUPLING NUT        | 2        |
| 22 | ST200L27   | COUPLING            | 1        |
| 23 | ST200L28   | SPINDLE HOUSING     | 1        |
| 24 | ST2880L31  | SPINDLE (SHAFT)     | 1        |
| 25 | 20027      | SPINDLE             | 1        |
| 26 | 21036      | COLLET              | 1        |
| 27 | 21037      | COLLET NUT          | 1        |
| 28 | BT21038-14 | STOP SPANNER (14MM) | 1        |
| 29 | BT21039-19 | STOP SPANNER (19MM) | 1        |

HAD-50200L

DEC. 2023