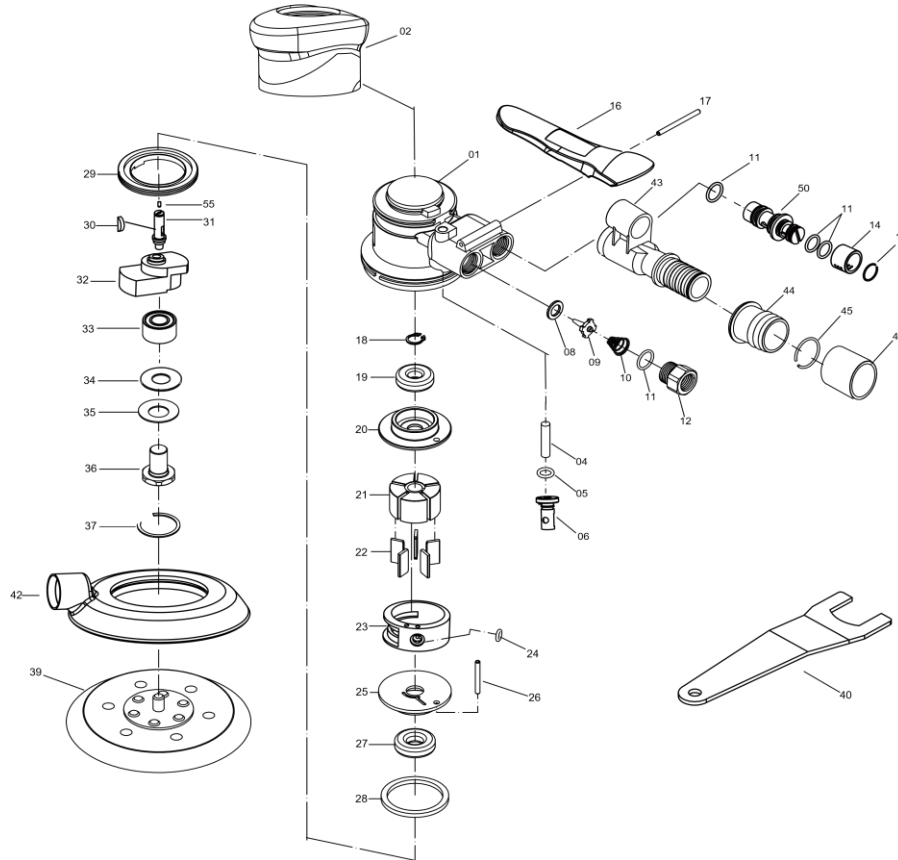


Random Orbital Sander (Central -Vacuum)



| NO. | DESCRIPTION | QTY |
|-----|---------------|-----|
| 1 | Housing | 1 |
| 2 | Grip | 1 |
| 4 | Stem | 1 |
| 5 | O-Ring | 1 |
| 6 | Control | 1 |
| 8 | Retainer | 1 |
| 9 | Valve | 1 |
| 10 | Spring | 1 |
| 11 | O-Ring | 4 |
| 12 | Air inlet | 1 |
| 14 | Exhaust Cover | 1 |
| 15 | C-Ring | 1 |
| 16 | Lever | 1 |
| 17 | Pin | 1 |
| 18 | C-Ring | 1 |

| NO. | DESCRIPTION | QTY |
|-----|-------------|-----|
| 19 | Bearing | 1 |
| 20 | End Plate | 1 |
| 21 | Rotor | 1 |
| 22 | Rotor Blade | 5 |
| 23 | Cylinder | 1 |
| 24 | O-Ring | 1 |
| 25 | Front Plate | 1 |
| 26 | Pin | 1 |
| 27 | Bearing | 1 |
| 28 | O-Ring | 1 |
| 29 | Lock-Ring | 1 |
| 30 | Key | 1 |
| 31 | Spindle | 1 |
| 32 | Balance | 1 |
| 33 | Bearing | 2 |

| NO. | DESCRIPTION | QTY |
|-----|-------------------|-----|
| 34 | Washer | 1 |
| 35 | Washer | 1 |
| 36 | Pad Retainer | 1 |
| 37 | C-Ring | 1 |
| 39 | PAD (150mm)(6H) | 1 |
| 40 | Spanner | 1 |
| 42 | Housing Cover | 1 |
| 43 | Vacuum Adapter | 1 |
| 44 | Hose Adapter | 1 |
| 45 | C-Ring | 1 |
| 46 | Dust Tubt Adapter | 1 |
| 50 | Exhaust Adapter | 1 |
| 55 | Screw | 1 |

Consumable parts No. 27, 33

HAS-505-CV6
HAS-525-CV6

DEC. 2023