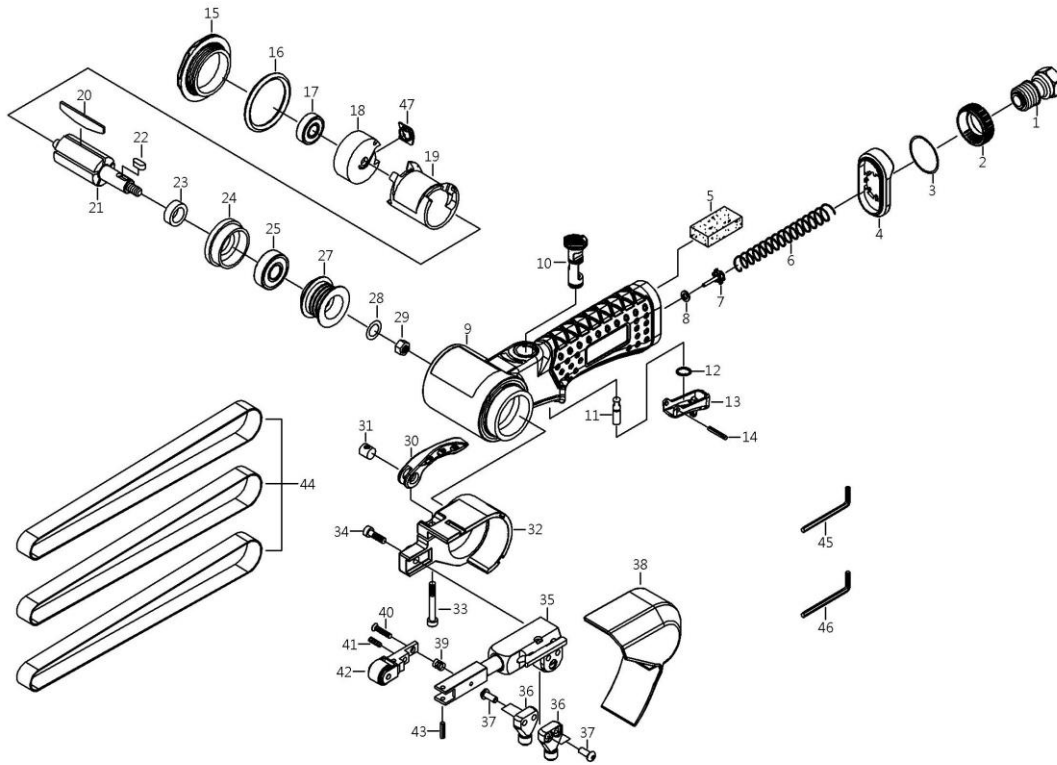


AIR BELT SANDER (3/8"X13")



PARTS LIST

NO.	PART NO.	DESCRIPTION	Q'T Y
1	ST706A01	AIR INLET	1
2	ST706A02	EXHAUST SLEEVE	1
3	ST706A03	O-RING (24*1)	1
4	ST706A04AS	EXHAUST COVER SET	1
5	ST70603.1	SILENCER	1
6	ST70604	SPRING	1
7	ST288315	VALVE	1
8	ST288316	WASHER	1
9	ST70607A	HOUSING	1
10	ST70608AS	REGULATOR SET	1
11	ST70612AS	VALVE STEM SET	1
12	2HG-16A	SNAP RING (STW-9)	1
13	ST-70614	SAFTY THROTTLE LEVER	1
14	12012.1	SPRING PIN (3x24L)	1
15	ST70616	CAP	1
16	90443	O-RING (AS029)	1
17	22536A	BEARING (626ZZ)	1
18	ST70819	REAR PLATE	1
19	ST70620AS	CYLINDER SET	1
20	ST70622	ROTOR BLADE	6
21	ST70623	ROTOR	1
22	ST70624	KEY	1
23	ST25125	BEARING SPACER	1
24	ST70625	FRONT PLATE	1

Consumable parts No. 6, 7, 8, 17, 20, 25, 35, 42

NO.	PART NO.	DESCRIPTION	Q'T Y
25	70048A	BEARING (6000ZZ)	1
27	ST70627-1	DRIVE PULLEY	1
28	ST70628	WASHER (6.4x11.5x1.6t)	1
29	ST70629	NUT (M6)	1
30	ST187550	TRIGGER	1
31	ST187551	BUSHING	1
32	ST70632A	GUARD HUB	1
33	BT246652-4A	SCREW	1
34	2HG4-32	SCREW (M5x0.8Px12L)	1
35	ST7076E48AS	TENSION BAR SET	1
36	ST707E41AS	BRACKET SET	2
37	81447	SCREW	4
38	ST70634	GUARD COVER	1
39	ST70649	SPRING	1
40	ST70651	SCREW (M3x12L)	1
41	ST70652B	SCREW (M4x8L)	1
42	ST70650B-1AS	IDLE PULLEY SET	1
43	ST70639	SPRING PIN (2.5x12L)	1
44	ST70657-40#	SANDING BELT (40#)	1
44	ST70657-60#	SANDING BELT (60#)	1
44	ST70657-80#	SANDING BELT (80#)	1
45	ST70659	HEX (2mm)	1
46	23039	HEX (3mm)	1
47	ST70868	PACKING	1

HAS-BS706EA

DEC. 2023