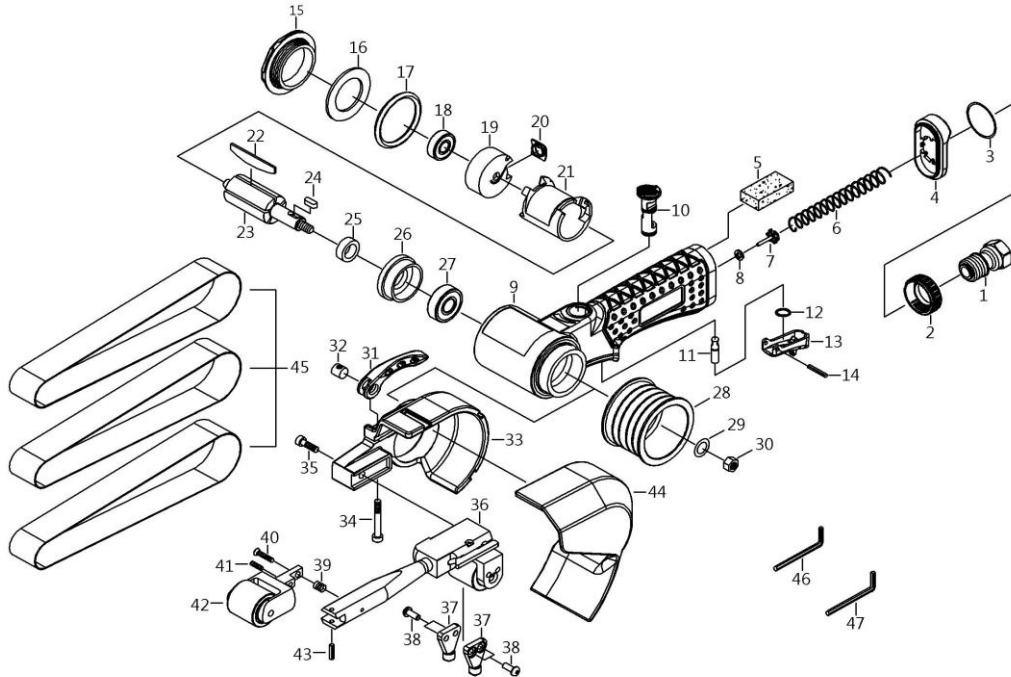


AIR BELT SANDER (1-1/5"X21-1/4")



PARTS LIST

NO.	PART NO.	DESCRIPTION	Q'TY
1	ST706A01	AIR INLET	1
2	ST706A02	EXHAUST SLEEVE	1
3	ST706A03	O-RING (24*1)	1
4	ST706A04AS	EXHAUST COVER SET	1
5	ST70603	SILENCER (60L)	1
6	ST70604	SPRING	1
7	ST288315	VALVE	1
8	ST288316	WASHER	1
9	ST70807	HOUSING	1
10	ST70608AS	REGULATOR SET	1
11	ST70612AS	VALVE STEM SET	1
12	2HG-16A	SNAP RING (STW-9)	1
13	ST-70614	LEVER	1
14	12012.1	SPRING PIN (3*24L)	1
15	ST70616	CAP	1
16	ST70869	WASHER (22*32.3*1.5t)	1
17	90443	O-RING (AS029)	1
18	22536A	BEARING (626ZZ)	1
19	ST70819	REAR PLATE	1
20	ST70868	PACKING	1
21	ST29022AAS	CYLINDER SET	1
22	ST70822	ROTOR BLADE	6
23	ST70823A	ROTOR	1
24	ST70624	KEY	1
25	ST25125	BEARING SPACER	1

HAS-BS709EA

DEC. 2023

NO.	PART NO.	DESCRIPTION	Q'TY
26	ST70625	FRONT PLATE	1
27	70048A	BEARING (6000ZZ)	1
28	ST70927	DRIVE PULLEY	1
29	ST70828	WASHER (8.4*15.5*1.6t)	1
30	ST70829A	NUT (M8*1P)	1
31	ST187550	TRIGGER	1
32	ST187551	BUSHING	1
33	ST70832	GUARD HUB	1
34	BT246652-4A	SCREW (M4*27L)	1
35	26043	SCREW (M5*0.8P*16L)	1
36	ST709E48AS	TENSION BAR SET	1
37	ST707E41AS	BRACKET SET	2
38	81447	SCREW	4
39	ST70649	SPRING	1
40	ST70851	SCREW (M3*16L)	1
41	ST70852A	SCREW (M4*10L)	1
42	ST70950AS	IDLE PULLEY SET	1
43	ST70639	SPRING PIN (2.5x10L)	1
44	ST70834	SHROUD	1
45	ST70957-40#	SANDING BELT (40#)	1
45	ST70957-60#	SANDING BELT (60#)	1
45	ST70957-80#	SANDING BELT (80#)	1
46	ST70659	HEX (2mm)	1
47	23039	HEX (3mm)	1

Consumable parts No. 6, 7, 8, 18, 22, 27, 36, 42