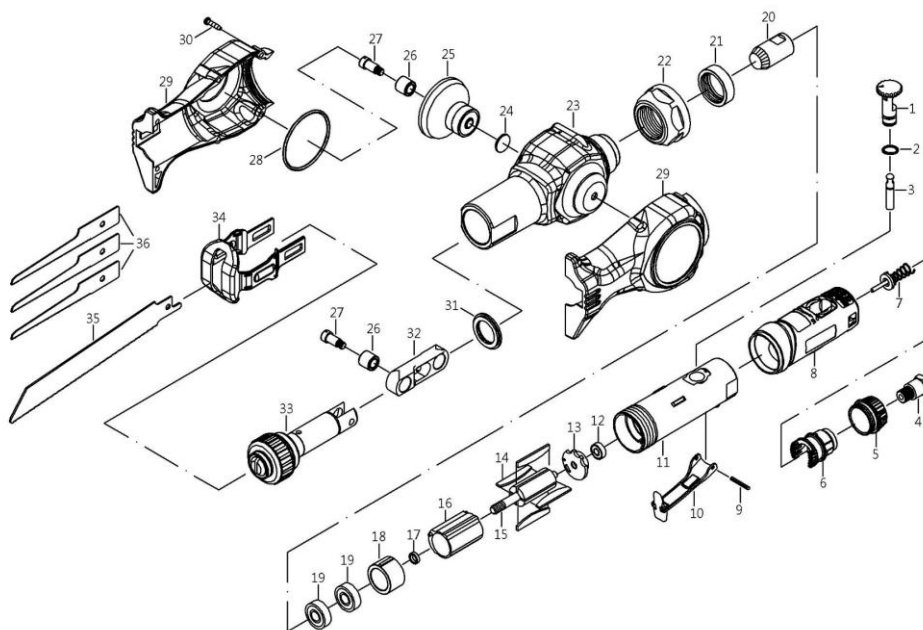


AIR SAW



PARTS LIST

NO.	PARTS NO.	DESCRIPTION	Q'TY
1	ST200A37AS	REGULATOR SET	1
2	OB-30	SNAP RING	1
3	ST200A33AAS	VALVE STEM SET	1
4	ST22003	AIR INLET	1
5	ST20010B-1AS	EXHAUST SLEEVE SET	1
6	ST20022B	CONE MUFFLER	1
7	ST200A44AS	VALVE SET	1
8	ST-200A14BG	PROTECTING RUBBER	1
9	12012.1	SPRING PIN (3*24L)	1
10	ST200A13	LEVER	1
11	ST200A15	HOUSING	1
12	20312	BEARING (696ZZ)	1
13	ST70017	REAR PLATE	1
14	20019	ROTOR BLADE	4
15	ST288321	ROTOR	1
16	ST70021AS	CYLINDER SET	1
17	20022	BEARING SPACER	1
18	ST21023	FRONT PLATE	1
19	21024	BEARING (608ZZ)	2

Consumable parts No. 12, 14, 18, 19, 23, 25, 32, 35, 36
 No. 35 & 36: (5 pcs of each part, 20 pcs in total)

NO.	PARTS NO.	DESCRIPTION	Q'TY
20	ST220B26	BEVEL GEAR (8T)	1
21	ST22019	NUT	1
22	ST21027	CLAMP NUT	1
23	ST220B29AS	HEAD SET	1
24	ST22030	WASHER (15*1t)	1
25	ST220B33AS	BEVEL GEAR SET (33T)	1
26	ST25441	BEARING (HK0609)	2
27	ST22035	SCREW (M5*0.8P)	2
28	ST220A39	O-RING	1
29	ST220D40RL	HEAD GUARD SET	1
30	ST2922043	SCREW (M3*16)	6
31	ST220B39AS	WASHER SET	1
32	ST22039	DRIVE SHAFT	1
33	ST220B49AS	HOLDER CAP SET	1
34	ST220D45	ATTACHMENT	1
35	ST2204314	SAW (14T)	1
36	ST220A6014	SAW (14T)	1
36	ST220A6018	SAW (18T)	1
36	ST220A6024	SAW (24T)	1

HCT-BS220

JAN. 2024